

All pictures in this instruction manual are for reference only. The actual product shall prevail.

Interactive Whiteboard

Instruction Manual

Table of Contents

1. Safety warning	1
2. Product appearance	4
3. Terminal functions	5
4. Common port connections	6
5. FAQ	6
6. Simple troubleshooting	7
7. Maintenance	8
8. Special statement	8

1. Safety warning

(1) Place

Do not place heavy objects on the machine;
Do not insert anything into the machine;
Do not place the machine next to equipment with strong radiation;
Do not place the machine in a damp or wet place;
Do not place the machine where it is unstable, prone to tilting or falling;
Do not place the machine near direct sunlight or other strong light sources.

(2) Power supply

In thunderstorms and lightning weather, please unplug the power cord;
Do not subject the power cord to physical or mechanical damage;
Please check and ensure that the ground wire of the AC power cord is connected;
Please use a dedicated power cord and do not modify or extend the power cord;
Please unplug the power plug when there is no one in the room or when it is not used for a long time;
1 Please check and ensure that the voltage value on the nameplate on the rear case matches the main power supply voltage value.

(3) Screen

Please contact the service center for internal cleaning of the machine;
When cleaning is required, please unplug the power plug first;
Please wipe the screen with a flexible, dust-free, dry cloth;
Do not use water or spray cleaners to clean the screen;
Do not display high-brightness images on the screen for a long time;
Do not use hard or sharp objects to write on the screen.

(4) Temperature

The normal working temperature of the machine is 0~40℃;
Do not place this machine near heating objects such as electric heaters or radiators or other heat sources;
When the machine is moved from a low temperature area to a high temperature area, in order to allow the condensation inside the machine to fully dissipate, please place it After a while, power on again.

(5) Humidity

Do not expose this machine to rain, moisture, or near water;
Please keep the room dry and cool, and the normal operating humidity of the machine is 10%~90%RH.

(6) Ventilation

Please place the machine in a ventilated place to ensure good heat dissipation; Ensure that the space above 10 cm on the left, right and rear of the machine and 20 cm on top of the machine is ventilated.

(7) Standby

The standby button on the fuselage can put the machine in standby mode without completely shutting down the machine.

(8) Cleaning requirements

The back shell of this product has heat dissipation holes. When cleaning, please do not spray or pour liquid directly on the back shell .
Or use a damp cloth to clean.

(9) Disconnect device

Please refer to the actual product for the disconnection device of the product.

- 1) Power switch, "I" means power on state, "O" means power off state; or
- 2) appliance couple
- 3) The power cord plug and the socket to which the power cord is connected should be installed near the product and should
When easily accessible.

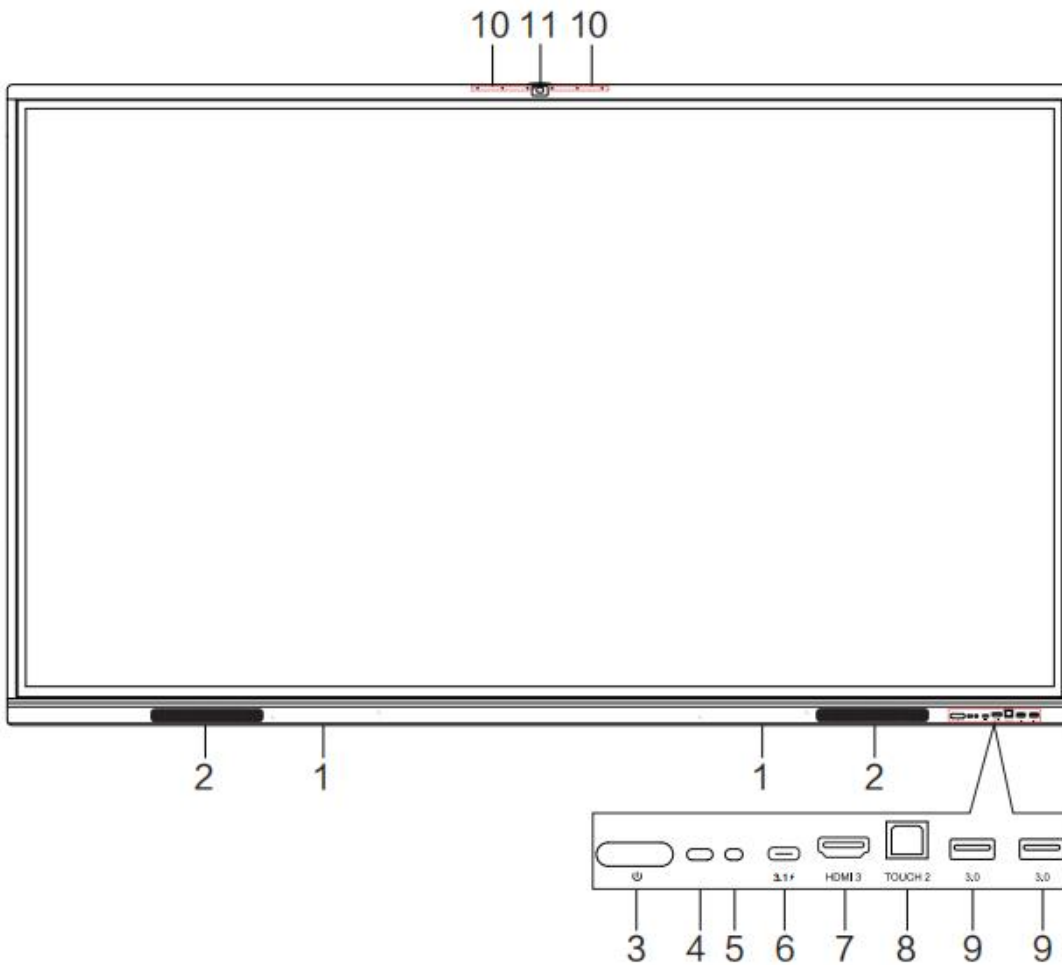
(10) Maintenance precautions

Please consult professional service personnel for all repairs.

The device has been damaged in any way, such as the power cord or plug is damaged, liquid has been spilled, or objects have fallen into the device.

If your parts or equipment have been exposed to rain or moisture, are not functioning properly, or have been dropped to the ground, please contact a professional Service personnel are responsible for repairs. Please do not dismantle the machine for maintenance without permission.

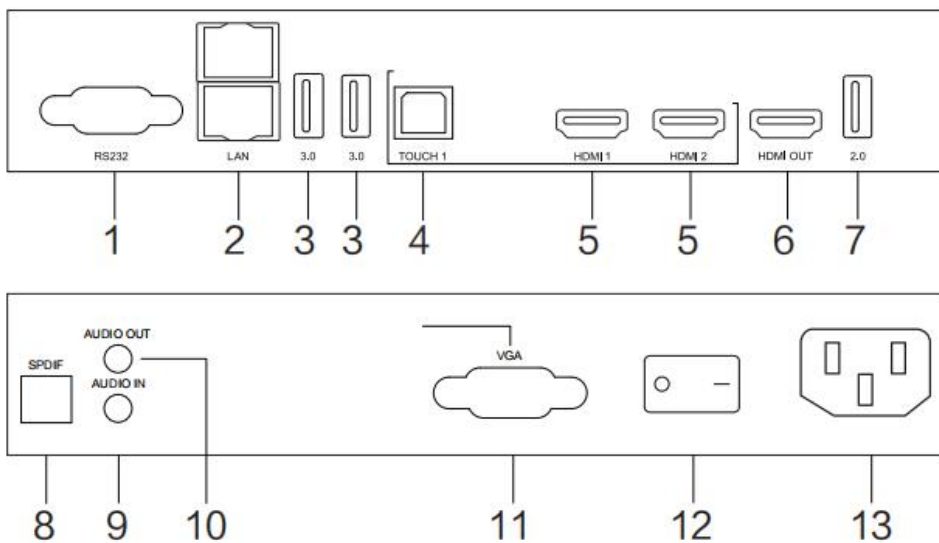
2. Product appearance



NO.	Function description
1	Stylus adsorption area
2	trumpet
3	Power button: 1) In standby mode, short press the power button to switch from standby to power on. 2) When the power is on, short press the power button to enter energy saving mode from power on. 3) When the power is on, press and hold the power button for more than 2 seconds to enter standby mode.
4	remote control window
5	Light-sensitive
6	The maximum rated power of the USB Type-C interface of this product is 65W. When using this interface to charge an electronic device, the charging power of the electronic device The rated power of this interface cannot be exceeded. For

	example, the charging power of electronic equipment exceeds This interface has a rated charging power. Please do not use this interface for charging directly.
7	HDMI 3
8	TOUCH 2 *
9	3.0
10	microphone
11	Camera

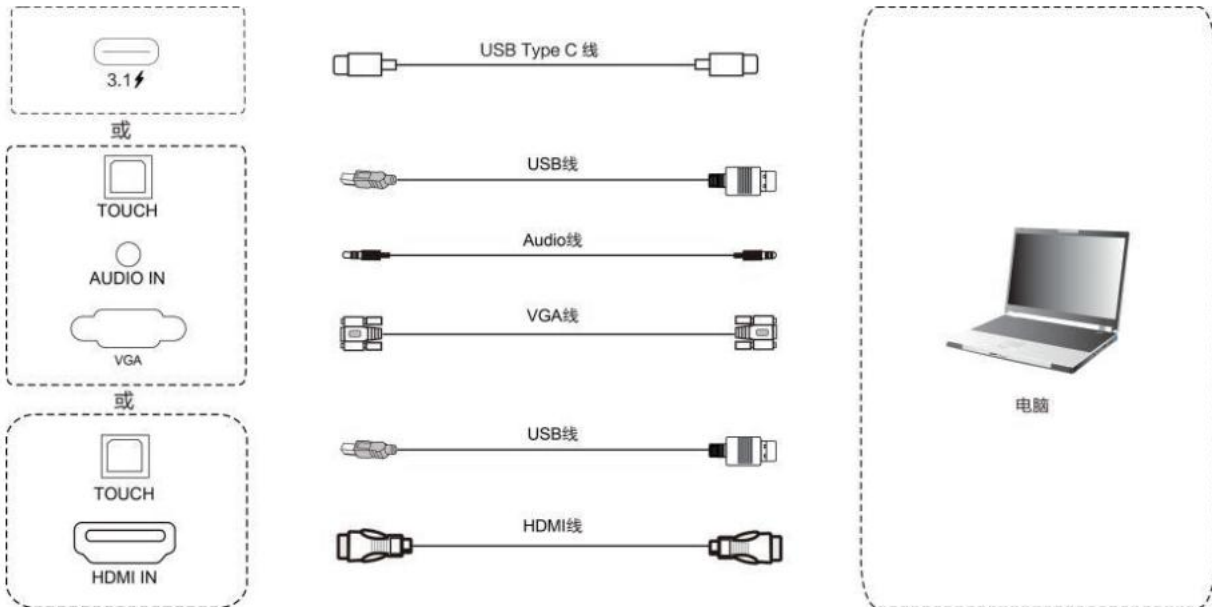
3. Terminal function



NO.	Project	Function description
1	RS232	Connect to central control equipment with RS232 interface
2	LAN	Network Interface
3	3.0	Connect USB device
4	TOUCH	Touch signal output interface
5	HDMI IN	HD multimedia interface signal input
6	HDMI OUT	HD multimedia signal output interface
7	2.0	Connect USB device
8	SPDIF	Multi-channel sound transmission via optical signals
9	AUDIO IN	Connect to a device with audio output
10	AUDIO OUT	Connect to a device with audio input
11	VGA	Image input interface
12	switch	power switch
13	Power outlet	AC power input, connect to AC power

4. Common port connections

External computer and touch connection



5. FAQ

(1) Why does fog often appear on the screen?

In order to ensure the safety of the screen, this product has a layer of tempered glass on the outside of the screen, and in order to ensure heat dissipation, there needs to be a certain gap between the two, which is used to reserve air channels for air convection. The main reason for fogging is that there is a temperature difference between the screen temperature and the outside temperature. Hot air condenses on the lower temperature glass surface to produce water mist. Water mist does not affect normal use. Generally, the mist will slowly evaporate and disappear after a few hours of use.

(2) Why do some devices in different classrooms turn on slowly, while others turn on normally? The specific reason needs to be confirmed. In theory, the configuration used is the same, and the boot speed is the same: Generally speaking, the device is poisoned by external U disk or Internet access, or the hard disk space is full or the system disk is damaged, which will cause slow boot. Specifically, If you have any questions, you can call our service hotline directly, and professional engineers will help you judge and guide you to solve the problem remotely.

(3) Why can't the multi-touch function of some devices be used?

First of all, the XP system does not support multi-touch. If it is a WIN7 system, whether it is an external computer or a built-in computer, you need to install Home

Premium or above to support multi-touch. Windows7 are: Windows 7 Starter (Enterprise Edition), Windows 7 Home Basic (Home Basic Edition), Windows 7 Home Premium (Home Premium Edition), Windows 7 Professional (Professional Edition), Windows 7 Enterprise (Enterprise Edition), Windows 7 Ultimate (flag ship version).

(4) The equipped touch pen is limited. What objects can replace the touch pen for flexible writing without scratching the screen? You can temporarily use your fingers to replace writing. If necessary, you can also purchase it through sales or call our service hotline.

(5) Is it normal for the screen to feel overheated after using it for a period of time? Have a bad impact?

It is normal for the screen to heat up, just like the TV at home, and will not have any adverse effects.

(6) Will long-term use cause damage to the eyes?

The human eye recognizes flicker at 50Hz. The human eye can detect flicker below 50Hz. The eye muscles constantly adjust to adapt to flicker, causing eye fatigue. We use 60Hz or 120Hz LCD screens, so the human eye cannot actually feel our screen. It is flickering and can reduce eye fatigue to a greater extent than other similar products.

6. Simple troubleshooting

(1)Automatic shutdown,

Check the channel where the input source is located. No signal will cause automatic shutdown;

Check power supply stability.

(2)The indicator light does not light up

Check whether the power supply is normal;

Check whether the mechanical switch of the tablet is turned on

(3) Touch positioning is inaccurate

Check whether the touch pen or finger is touching the screen vertically at 90 degrees;

Check if there are other objects touching the screen, such as small notes or sleeves.

(4)Touch function is invalid

If the tablet is connected to an external computer, check whether the external touch cable is connected correctly.

If the tablet comes with a computer, check whether there are any implants such as Baidu Mobile Assistant installed.
software.

7. Maintenance

Simple maintenance

- (1) Correct maintenance and upkeep can avoid some simple failures:
- (2) Regular and careful cleaning can keep the machine in good appearance and operating condition;
- (3) Please unplug the power plug before cleaning and maintenance to prevent electric shock.

Qingjie curtain

- (1) Please mix a little fabric softener or detergent with warm water and stir evenly;
 - (2) Please use a soft cloth to soak completely in this mixing wave;
 - (3) Please wring out the soft cloth and wipe the screen of the whole machine;
- Repeat wiping (be careful not to let water droplets enter the inside of the device when wiping it) and you are done (4)

into the cleaning steps. Clean the face frame

- (1) Please use dry, soft, lint-free fabric or towel to wipe.

High volume or not using the equipment for a long time

- (1) When leaving the device for a long time or not using it, be sure to unplug the plug and cut off the power supply.

Prevent equipment damage caused by external power fluctuations such as lightning.

8. Special statement

Intellectual Property Statement: The hardware design and software program of this product are protected by copyright. If you copy the contents of this product and manual without the authorization of our company, you will bear corresponding legal liability.

The contents and pictures in this manual are for reference only and do not constitute any form of commitment.

The company reserves the right to improve and change product design without prior notice.